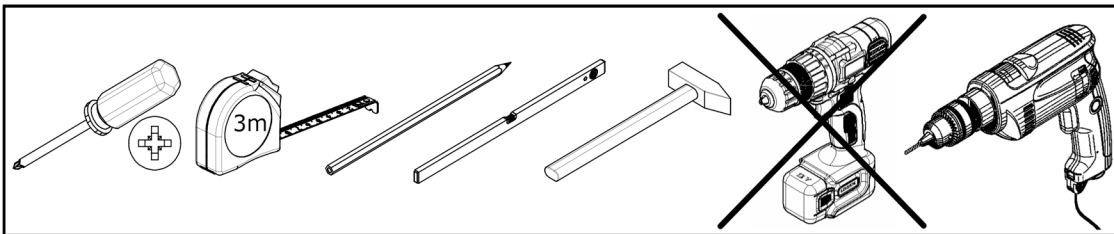
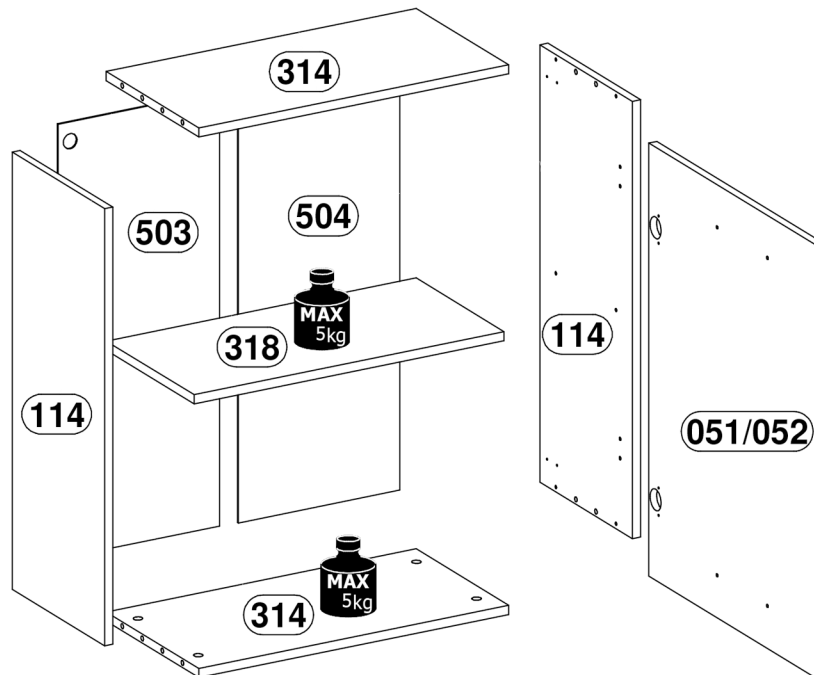
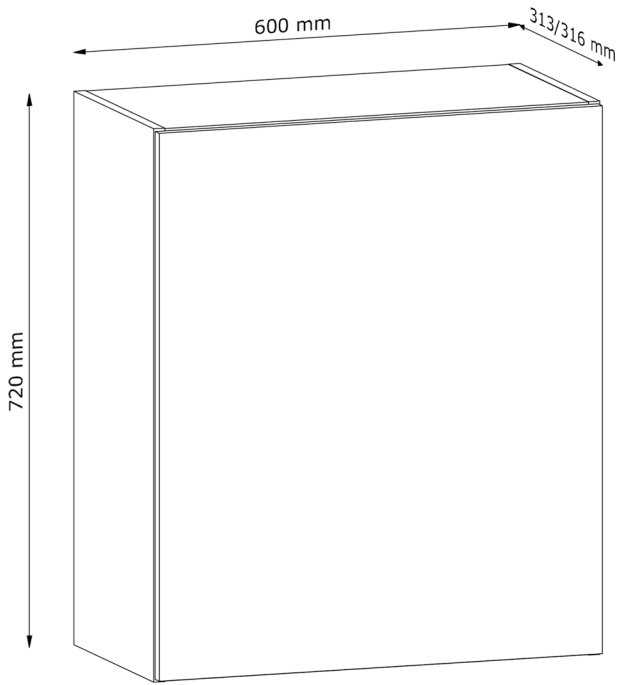


LANGEN

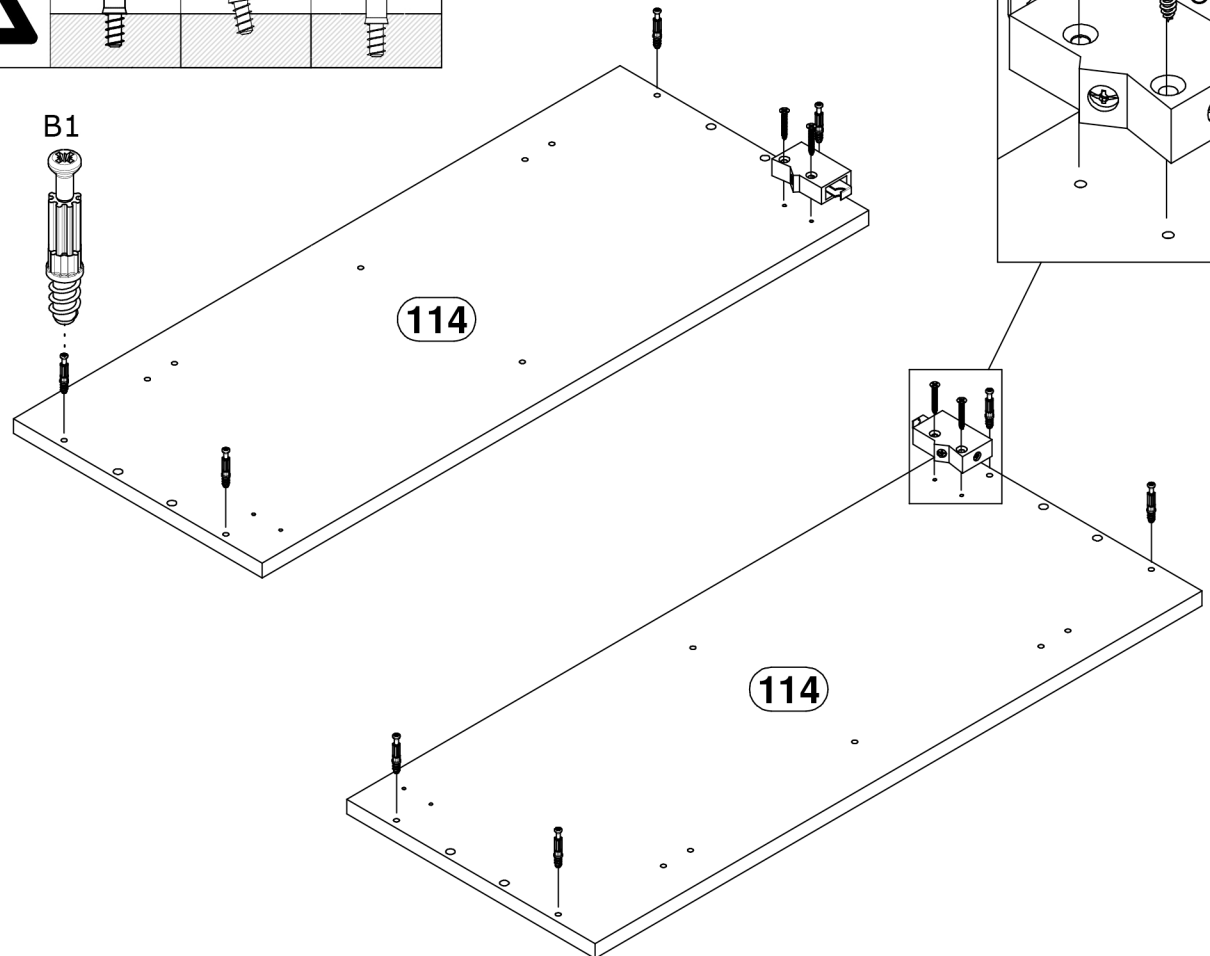
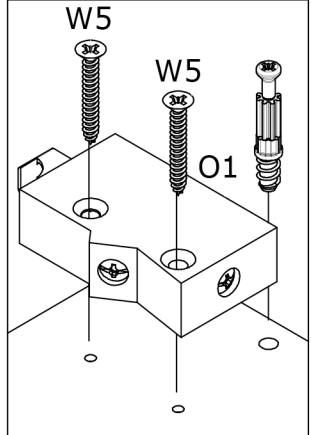
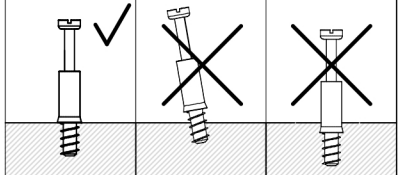
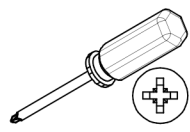
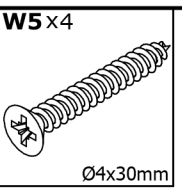
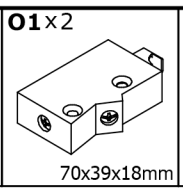
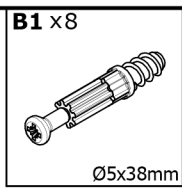
G60



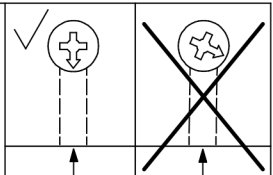
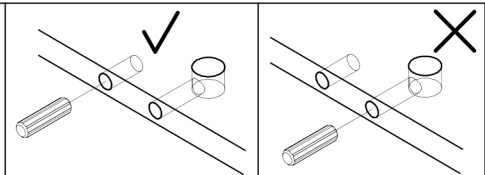
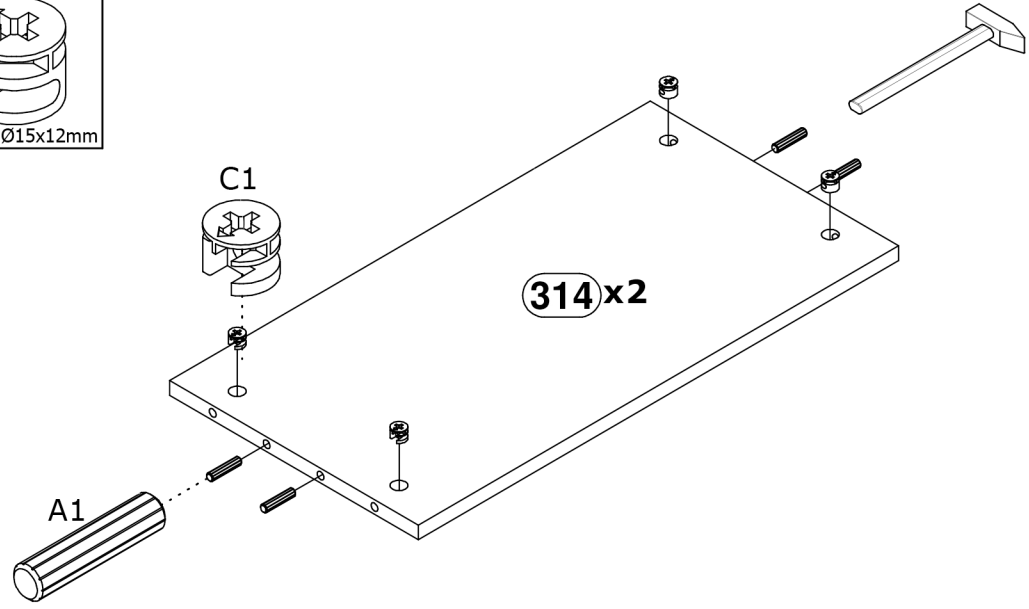
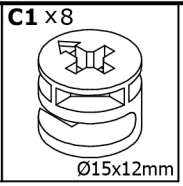
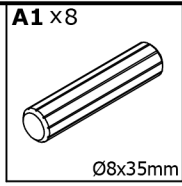
A1 x 8 Ø8x35mm	B1 x 8 Ø5x38mm	C1 x 8 Ø15x12mm	E1 x 4 Ø5x16mm	G1 x 28 26mm
H4 x 1 715mm	I20 x 1 83x21x11mm	J10 x 8 Ø21mm	O1 x 2 70x39x18mm	O5 x 2 76x32x6mm
U19 x 1 300mm	W2 x 6 Ø3,5x16mm	W5 x 6 Ø4x30mm	Y1 x 2 Ø8x1,5mm	Z1 x 2 50x40, H=2

Z3 x 2 Ø35, ZK0	No.	L[mm]	W[mm]	H[mm]	PCS	BOX
	051/052	713	596	15/18	1	2/2
	114	720	295	15	2	1/2
	314	570	295	15	2	1/2
	318	570	280	15	1	1/2
	503	716	297	2,5	1	1/2
	504	716	297	2,5	1	1/2

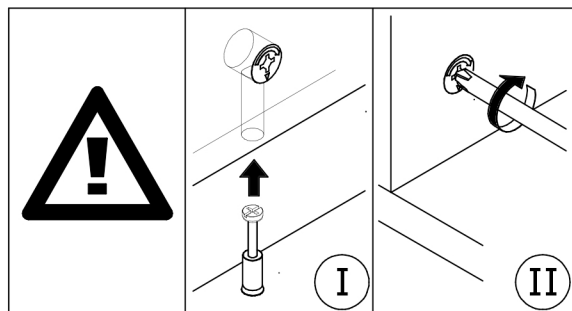
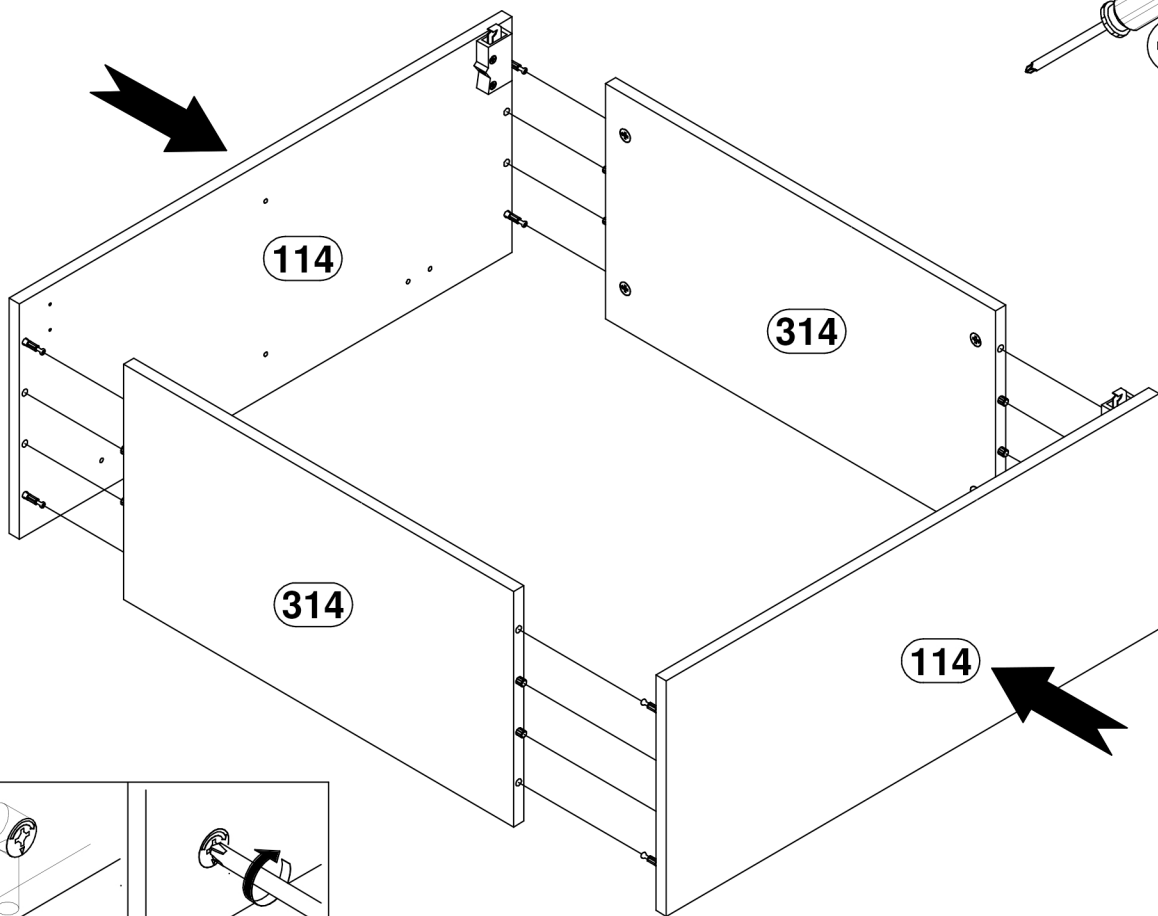
1



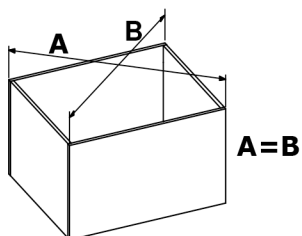
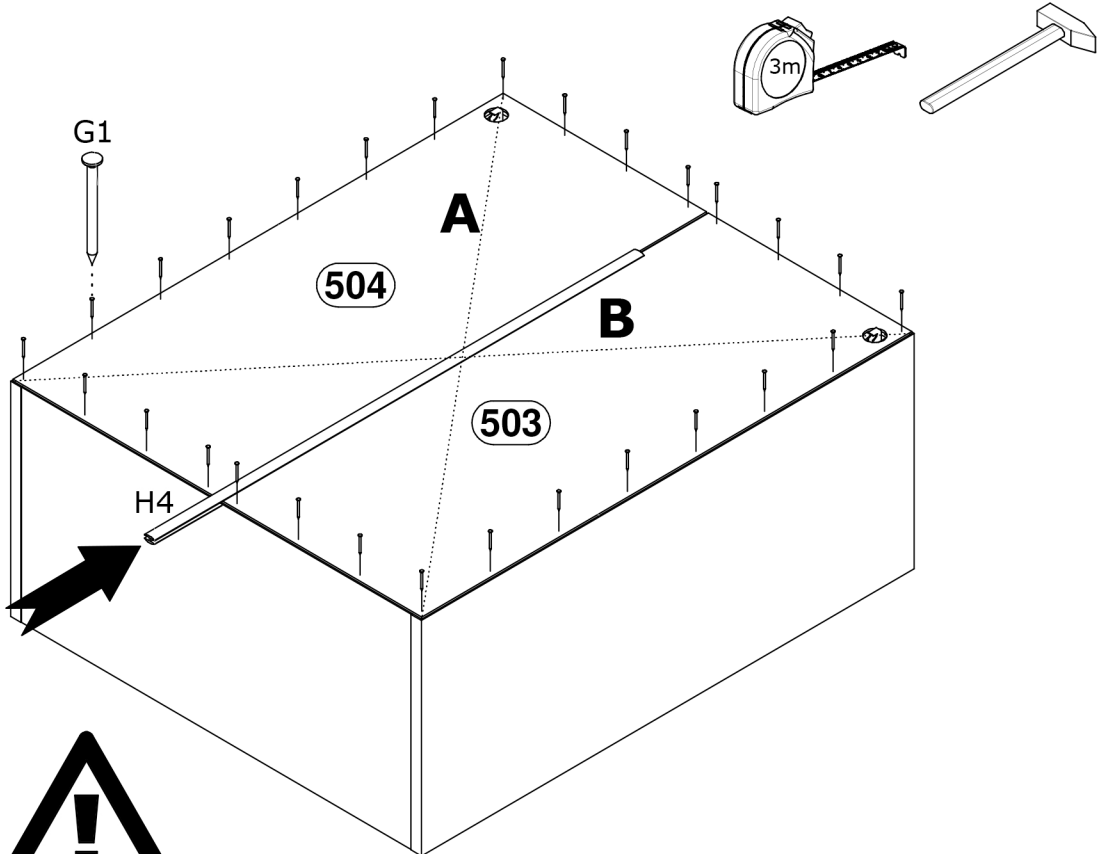
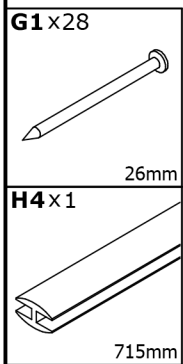
2



3



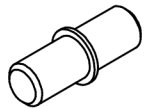
4



A=B ≡ 90°

5

E1 x4

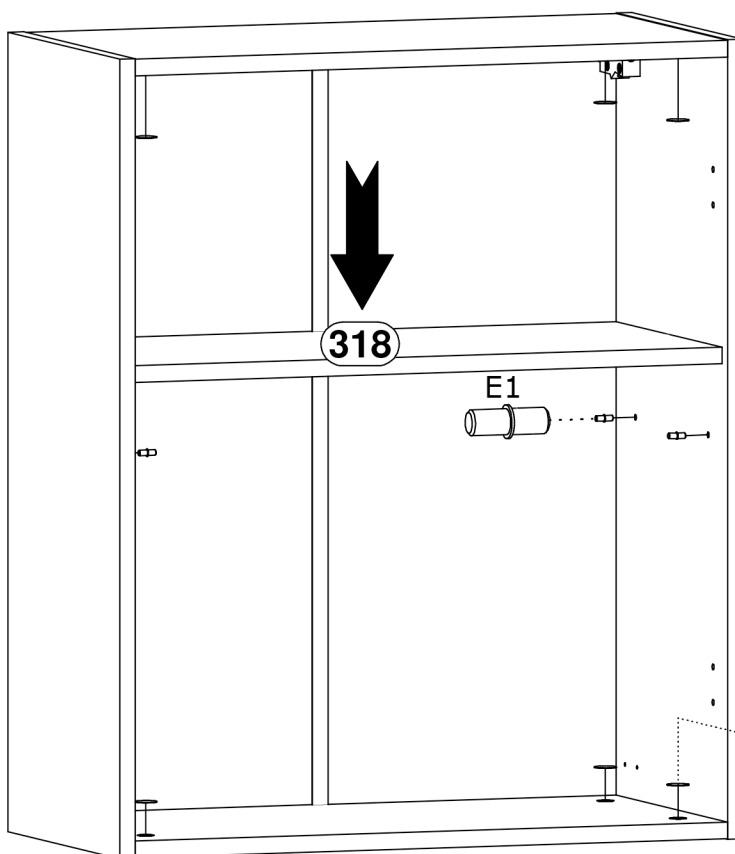
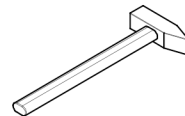


Ø5x16mm

J10 x8

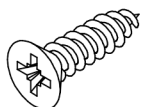


Ø21mm



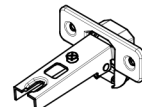
6

W2 x4

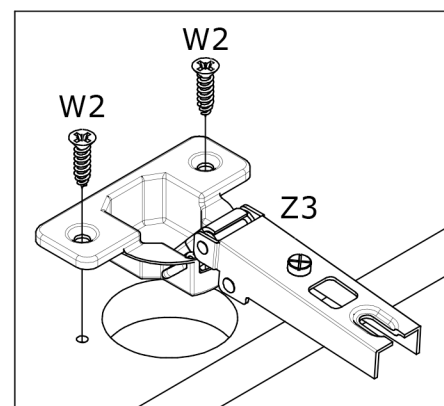
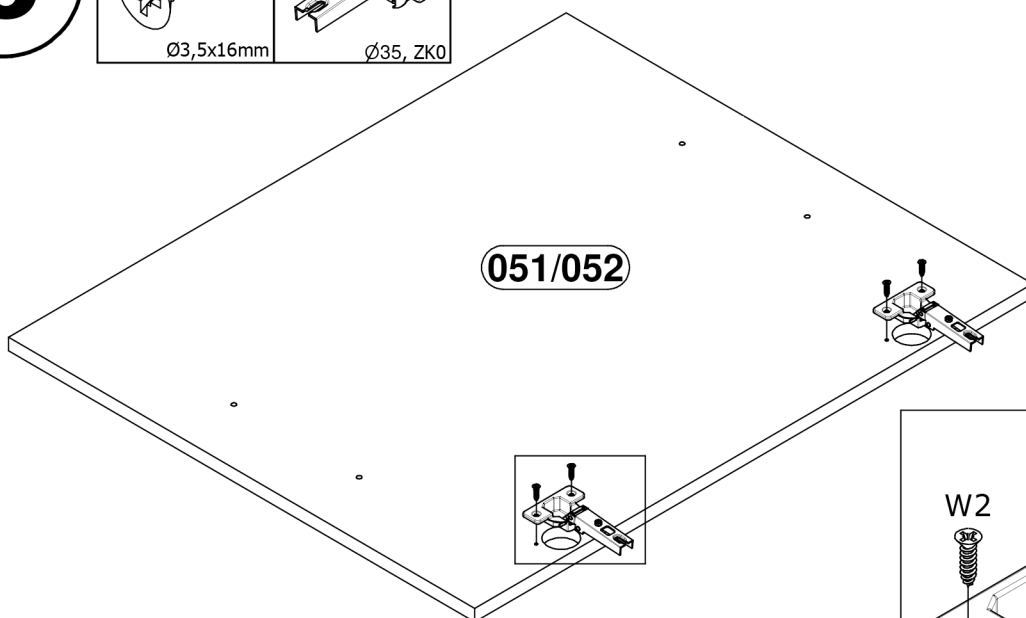
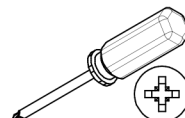


Ø3,5x16mm

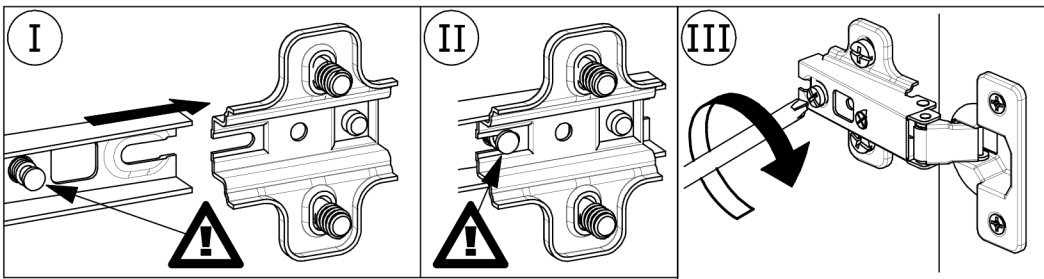
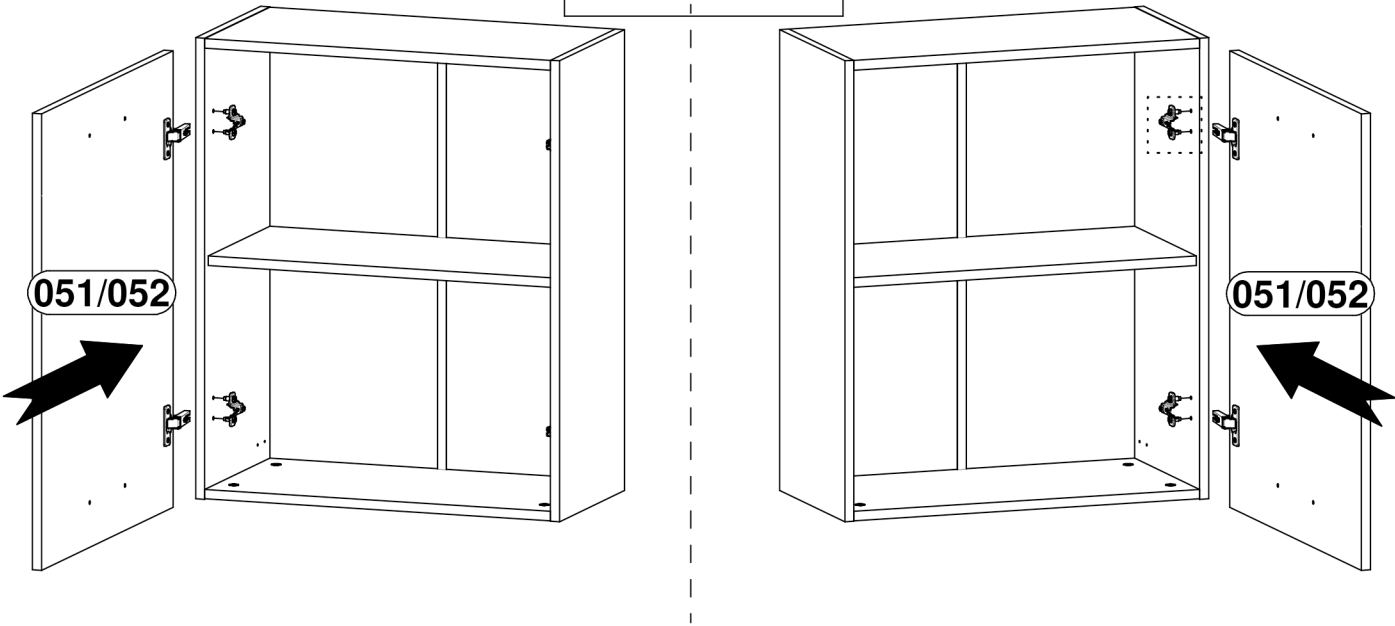
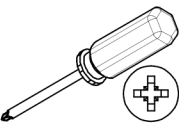
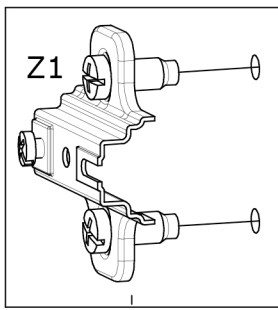
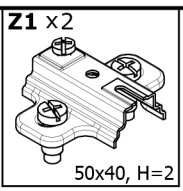
Z3 x2



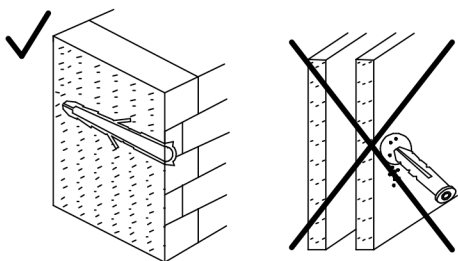
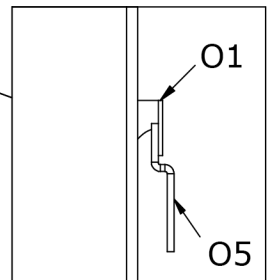
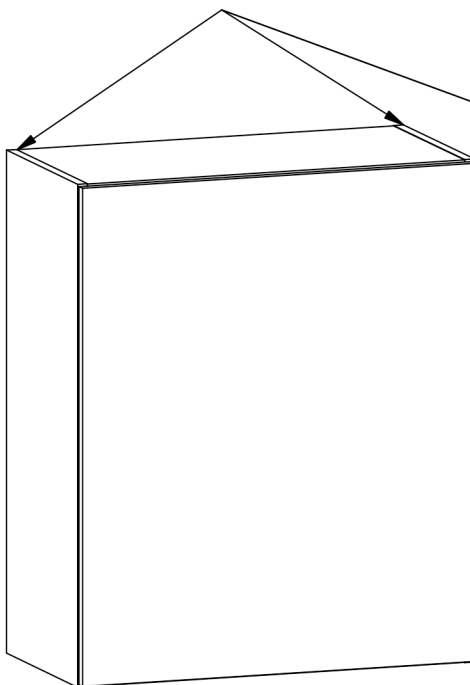
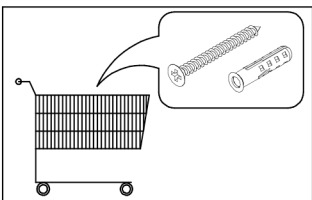
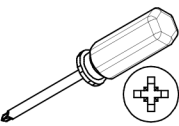
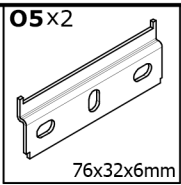
Ø35, ZK0



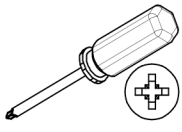
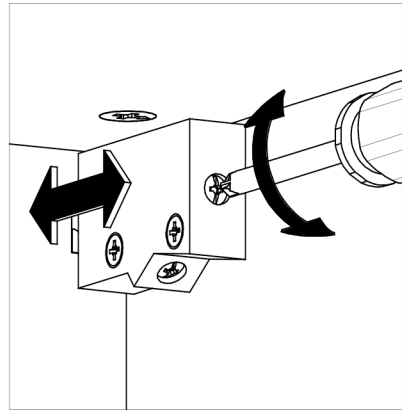
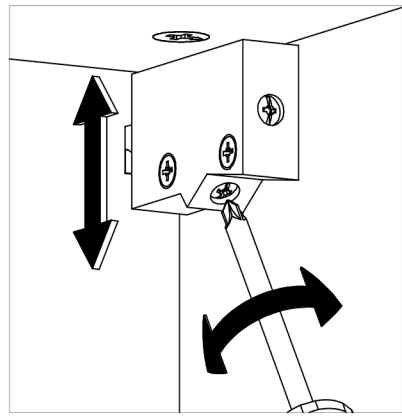
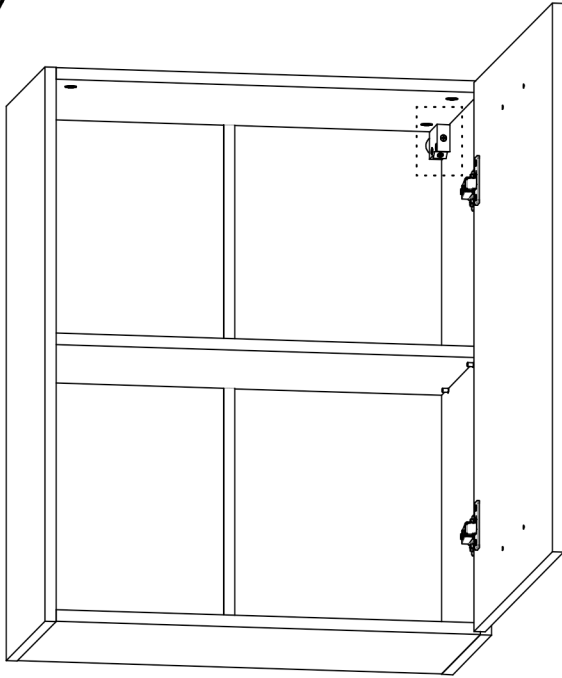
7



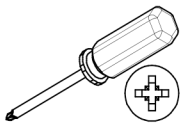
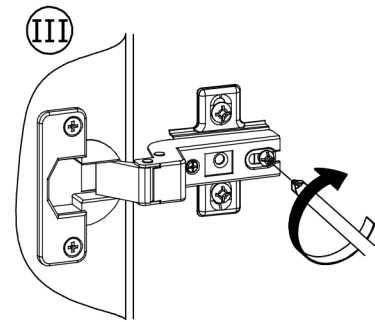
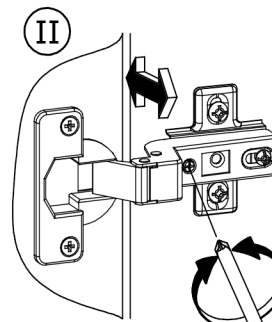
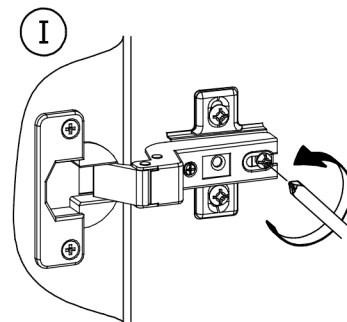
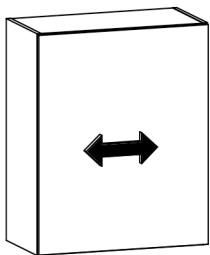
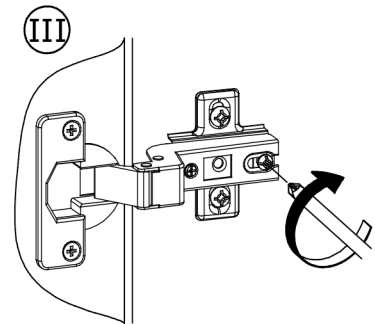
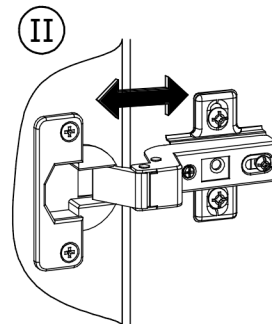
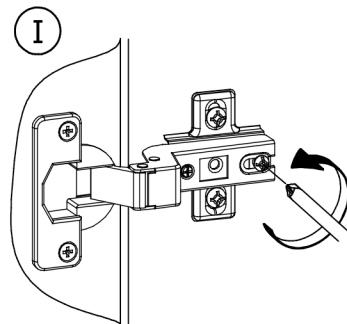
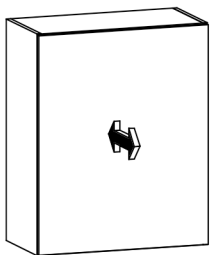
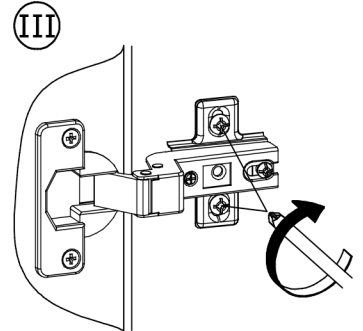
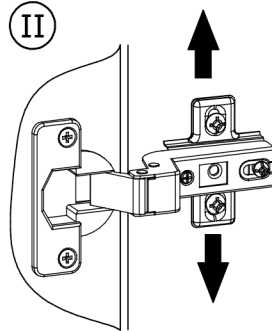
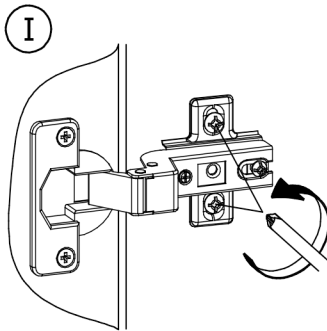
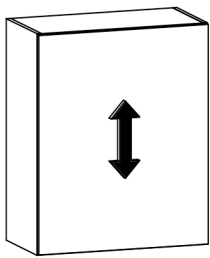
8



9



10

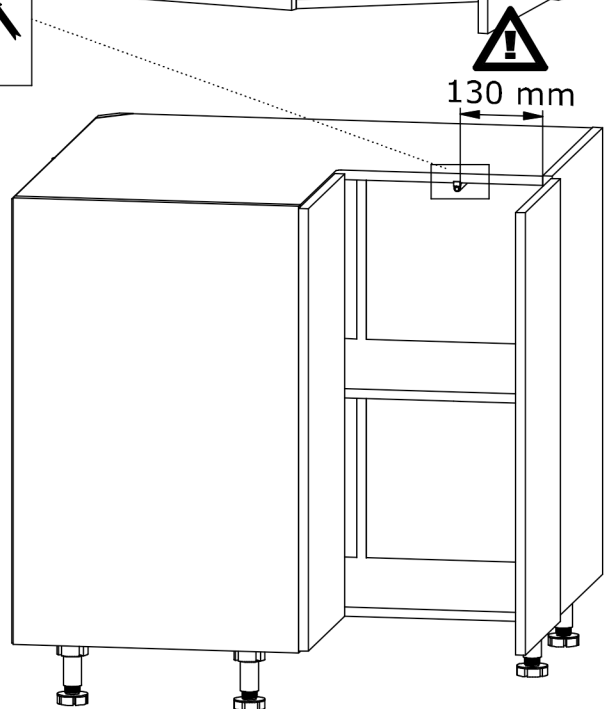
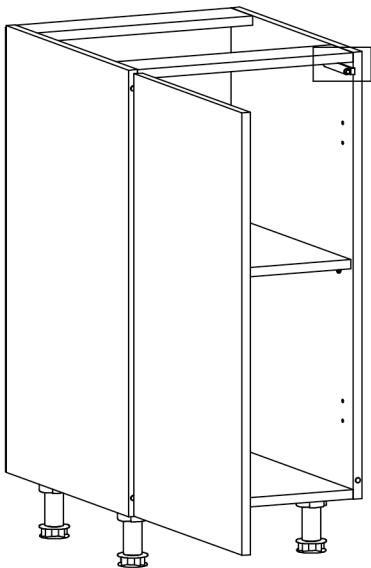
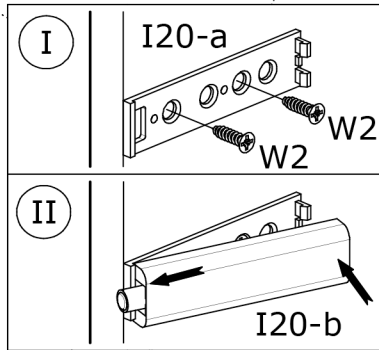
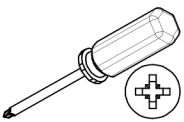
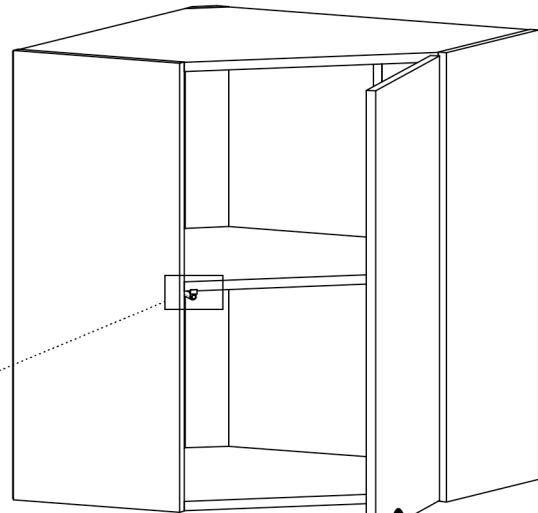
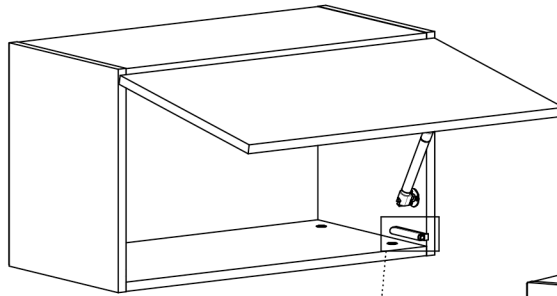
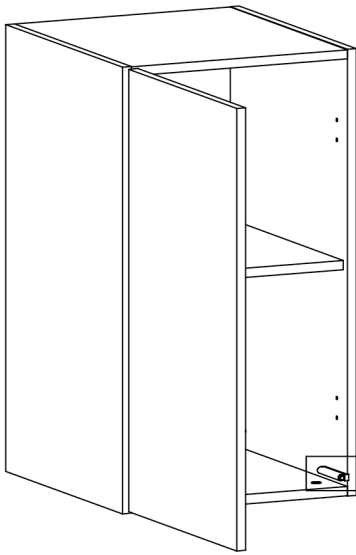
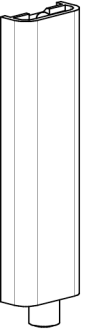
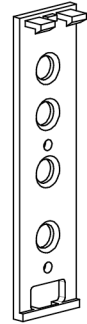
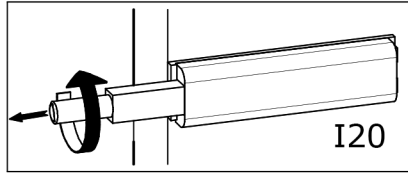
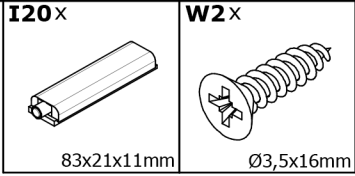


?

A

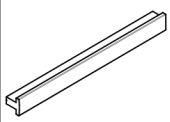
B

A



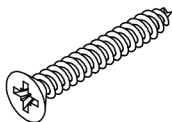
B

U18 / U19



200 / 300mm

W5

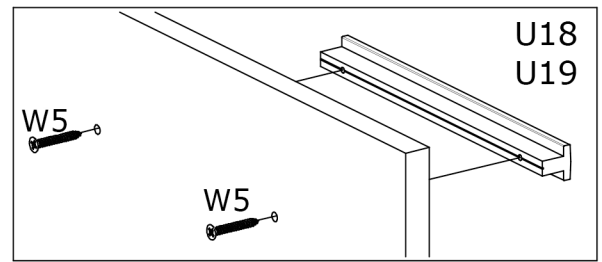
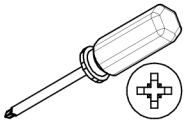


Ø4x30mm

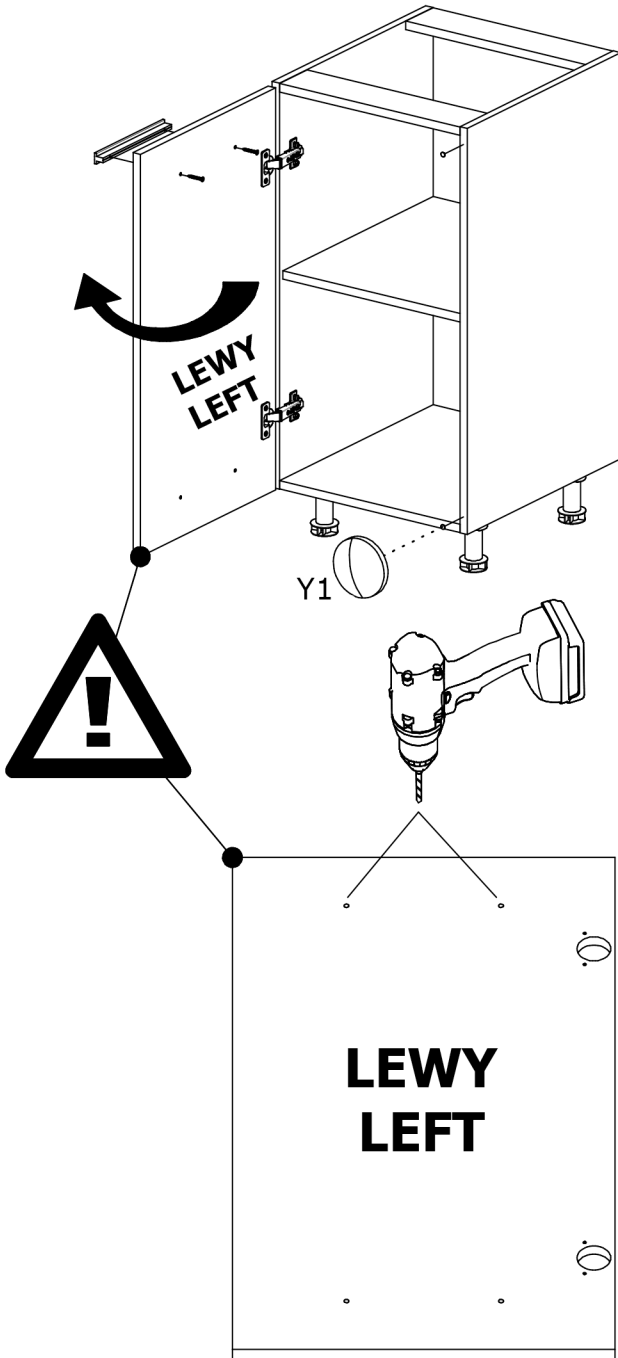
Y1



Ø8x1,5mm



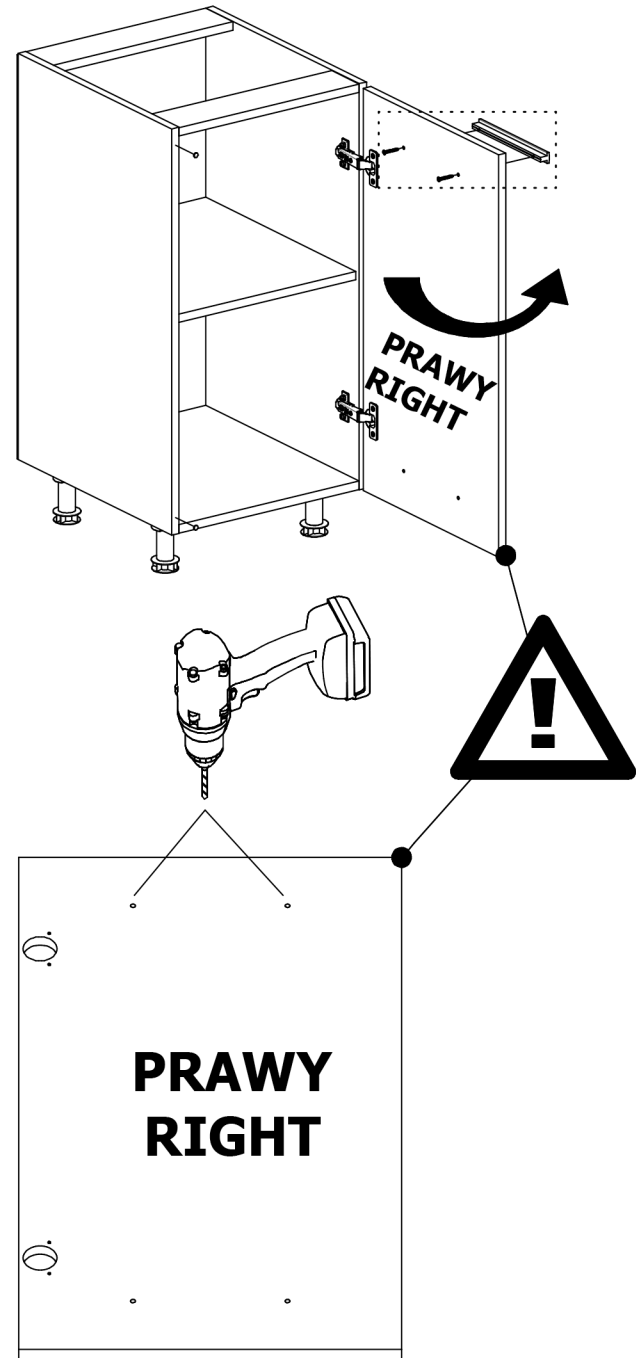
U18
U19



LEWY
LEFT

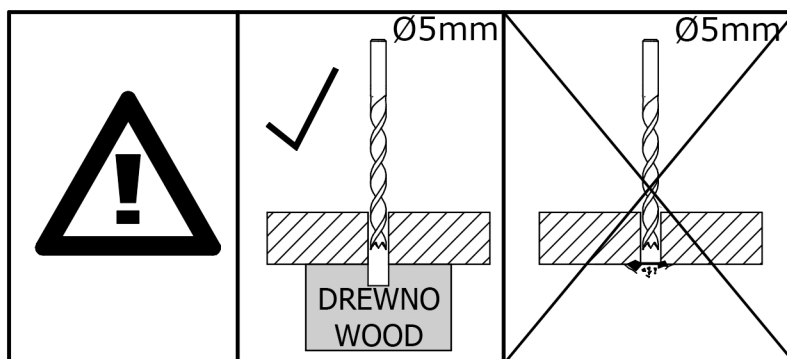
Y1

LEWY
LEFT



PRAWY
RIGHT

PRAWY
RIGHT



Ø5mm

Ø5mm

DREWNO
WOOD